

/// S410



With its wider mounting fork, this safety hinge switch is suitable above all for use with glass or plastic parts, as larger support surfaces are needed for stability in these cases.



Benefits:

- Wide fork dimensions for stability on glass and plastic
- 180 ° maximum opening angle of the protective device
- Repeatable setting (switching angle alignment) with skewed or misaligned doors
- Degree of protection IP 67
- Compact, rounded-off construction design in robust metal version
- Encapsulated, internal actuator guarantees proper functioning, even under difficult conditions
- Highly tamper proof due to covered screws
- Cable or M12 connection

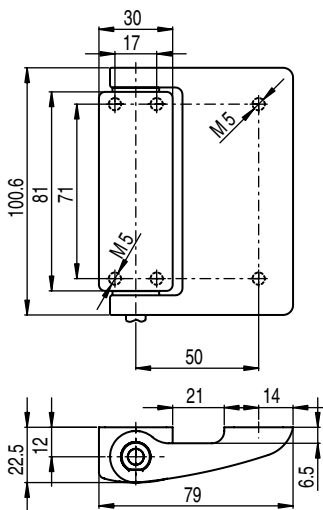
Switching sensors

Measuring sensors

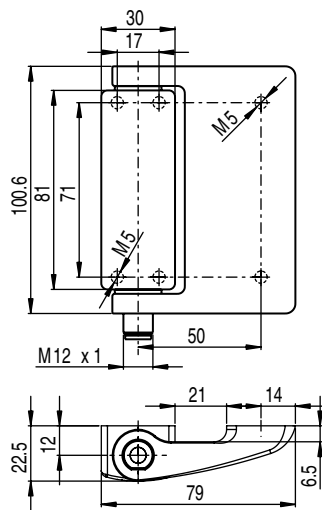
Products for safety at work

Part no.	Part description	Contact allocation	Housing material	Connection	Side of cable entry
63000412	S410-M4-CB2PUR-W	2NC + 1NO, slow-action contact	Metal	Cable, 7-wire, 2,000 mm, PVC	Wall side
63000410	S410-M4-CB02M12-W	2NC + 1NO, slow-action contact	Metal	Cable with connector, M12, 8-pin, metal, 200 mm, PVC	Wall side
63000408	S410-M1CB2-T	2NC + 1NO, snap-action contact	Metal	Cable, 7-wire, 2,000 mm, PVC	From above (with left installation)
63000404	S410-M1CB2-B	2NC + 1NO, snap-action contact	Metal	Cable, 7-wire, 2,000 mm, PVC	From below (with left installation)
63000409	S410-M1M12-T	2NC + 1NO, snap-action contact	Metal	Connector, M12, 8-pin, metal	From above (with left installation)
63000405	S410-M1M12-B	2NC + 1NO, snap-action contact	Metal	Connector, M12, 8-pin, metal	From below (with left installation)

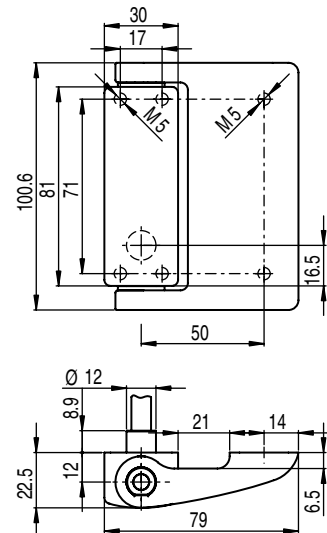
Dimensioned drawings: S410



S410-M1CB2-B
safety hinge switches



S410-M1M12-B
safety hinge switches



S410-M4-CB02M12-W /
S410-M4-CB2PUR-W
safety hinge switches

Identification

Data transmission /
Control components

Industrial image
processing

Accessories

ACCESSORIES: S410

Connection technology

Connection cables

Part no.	Part description	Connection 1	No. of pins	Cable length	Sheathing material
678060	CB-M12-5000E-8GF	Connector, M12, axial, female	8-pin	5,000 mm	PUR
678061	CB-M12-10000E-8GF	Connector, M12, axial, female	8-pin	10,000 mm	PUR
678062	CB-M12-15000E-8GF	Connector, M12, axial, female	8-pin	15,000 mm	PUR
678063	CB-M12-25000E-8GF	Connector, M12, axial, female	8-pin	25,000 mm	PUR

Further connection cables can be found on our website

Mounting

Part no.	Part description	Description	Material	Type of fastening	Dimensions
63000773	AC-H-S410	Additional hinge	Metal, ZAMAK	Mounting thread	79 mm × 22.5 mm × 100.6 mm
63000774	AC-SEPL-S4xx	Safety plug			